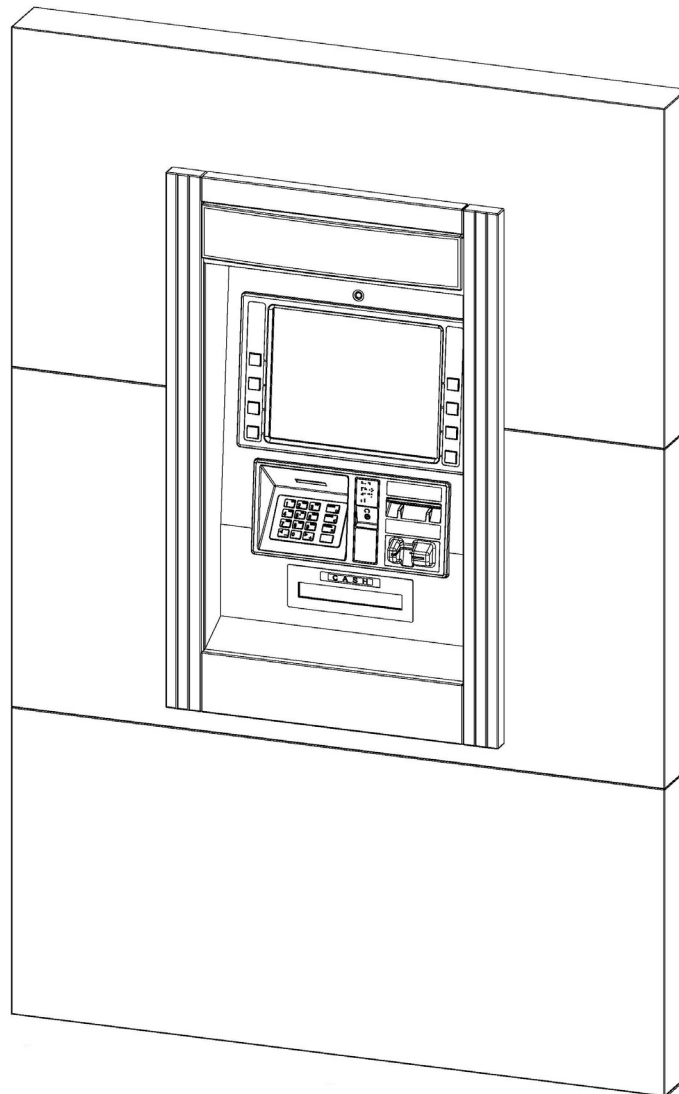




GT5000

Installation Specs



This document contains dimensions and specs for planning your GT5000 installation.

GT5000 Power Requirements:

This machine uses a standard 3-prong 115V AC power cord.

For warranty purposes, Genmega requires the GT5000 ATM should be connected to a dedicated power circuit (5amp minimum). This circuit must consist of line, neutral, and ground leads connected directly to the circuit breaker panel. This circuit should not be shared with any other equipment which may cause a drop in voltage across the circuit (ex. HVAC or Compressor)

Note that an improper or inadequate ground can lead to random dispensing and card reader problems.

Use of an uninterruptible power supply is recommended as low voltage to the ATM can cause data loss and corruption of software.

Input voltage:

110/220 VAC \pm 10%, 50/60 Hz
(power supply has 115v – 220v switch. Default is set to 115v)

Power draw is 175w max (during print / dispense cycle) this is approximately 6 seconds per transaction.
Power draw at idle is 35w

Operating Environment:

Temperature

In storage : 32°F - 123°F (0°C ~ 49°C)
While operating : 40°F - 95°F (5°C ~ 35°C)

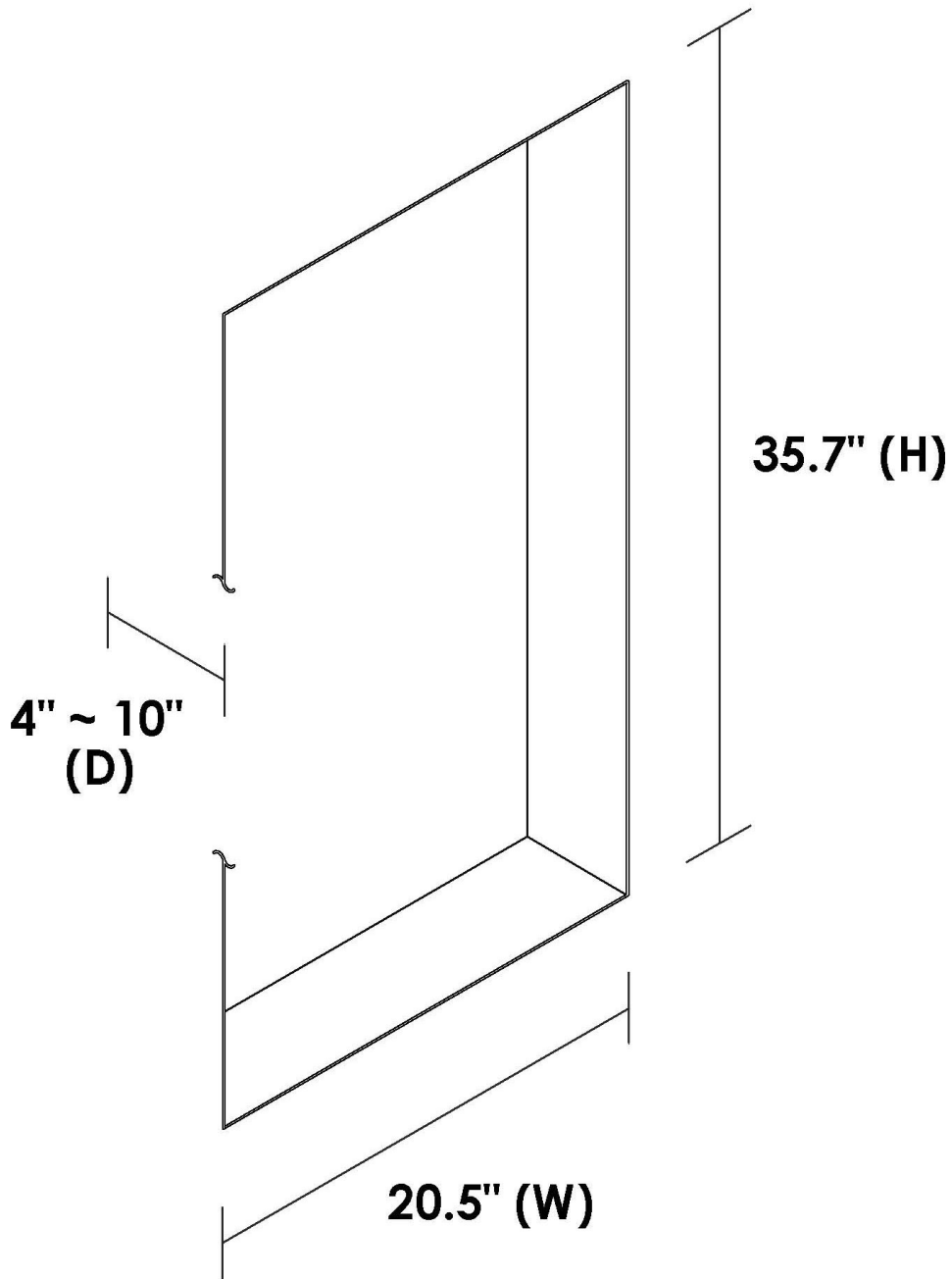
Humidity

In storage : 10% < RH < 90%, non-condensed
While operating : 15% < RH < 85%, non-condensed

Please note that this ATM machine is NOT waterproof – an awning should be provided to shield from direct rain or weather. Water damage to the machines components is not covered under warranty.

Construction Dimensions:

The wall hole should be sized 35.7" (height) and 20.5" (width) as shown below.

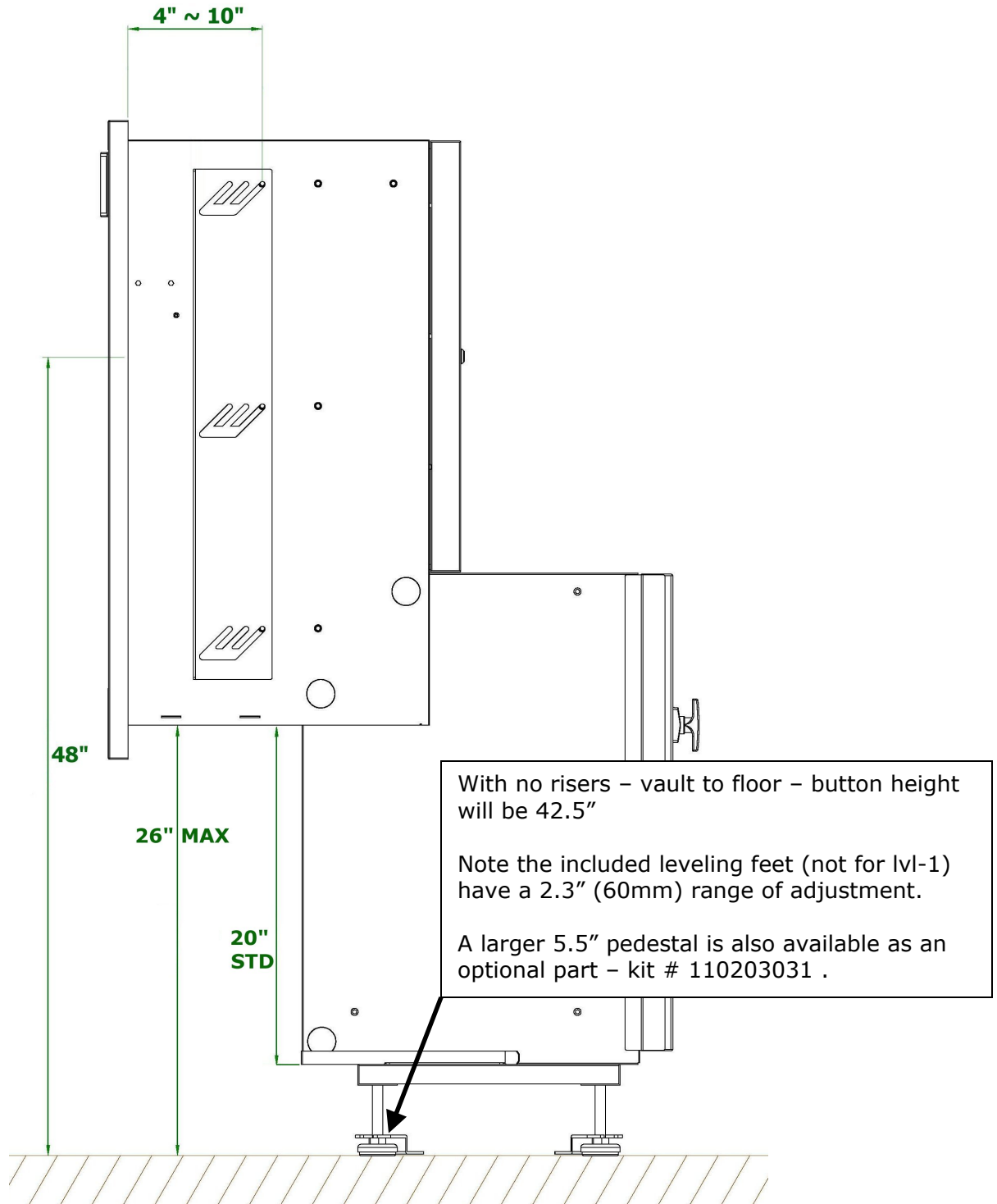


The maximum wall thickness for installation is 10". If a wall thickness of less than 4" will be used, then you will need to fabricate a spacer to fill the distance between the back of the wall and the side brackets.

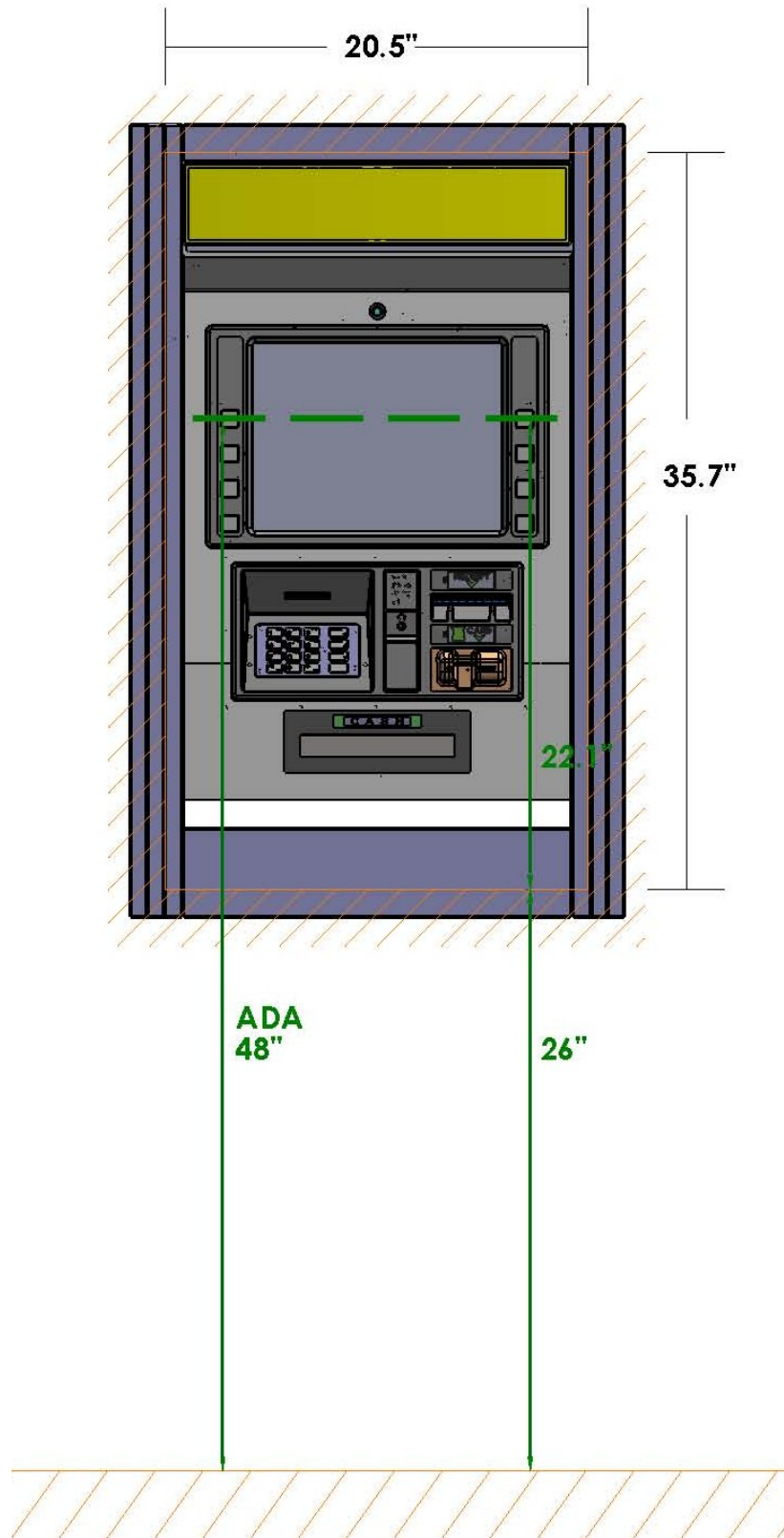
Setting the height of the hole:

The ADA guidelines require unobstructed front and side access – as well as a maximum 'control' (button) height of 48" – this means that the uppermost buttons on the sides of the screen must measure **no more than 48"** from centerline of button to the ground.

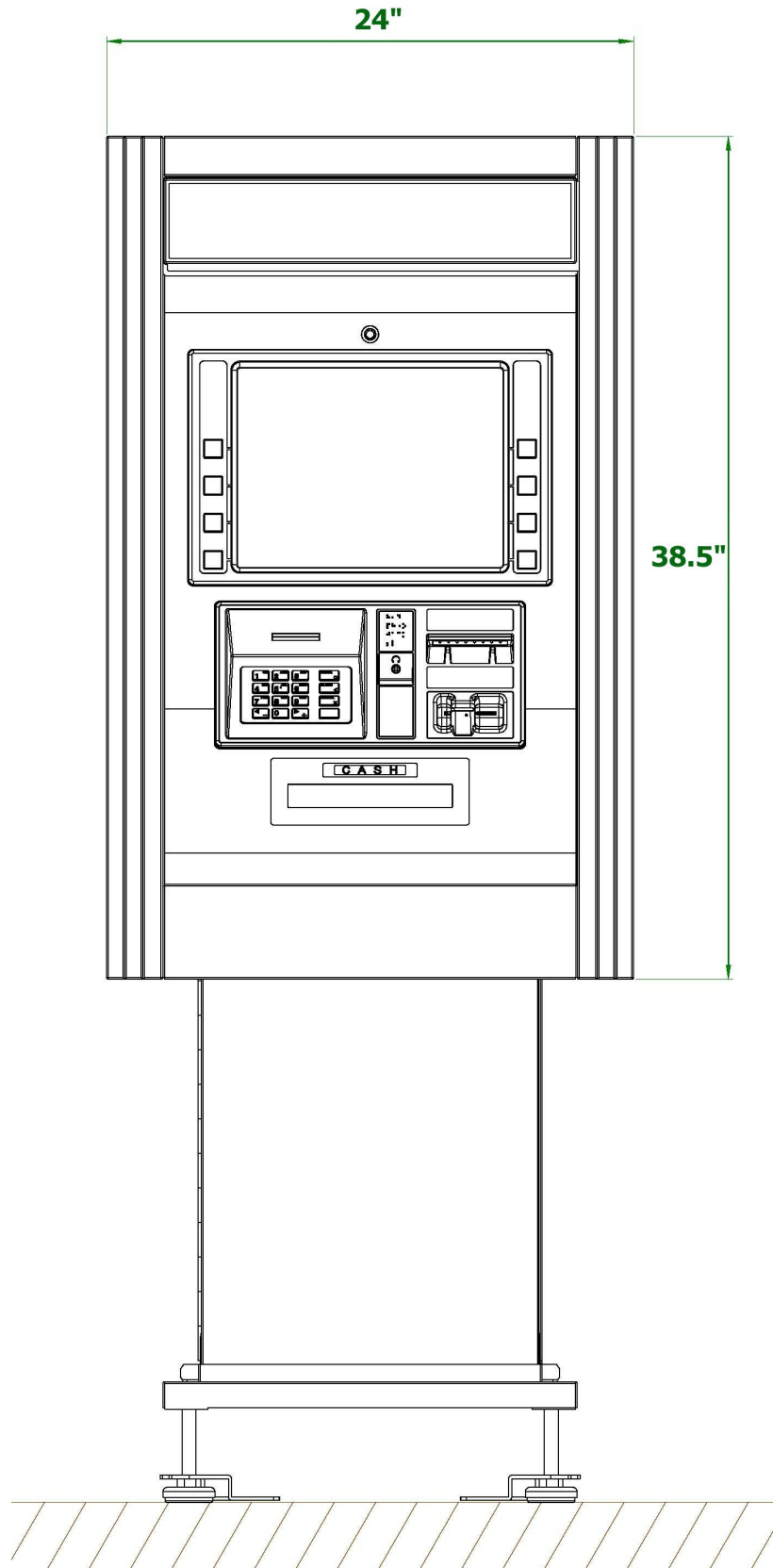
Out of the box – the vault bottom to opening is 20" which places the uppermost control at 42.5"
Depending on floor heights you can increase that height to a maximum of 26" using the **optional pedestal** shown below.



The following shows the **maximum height** to set the hole so that the machine is at the maximum allowed height for ADA compliance.



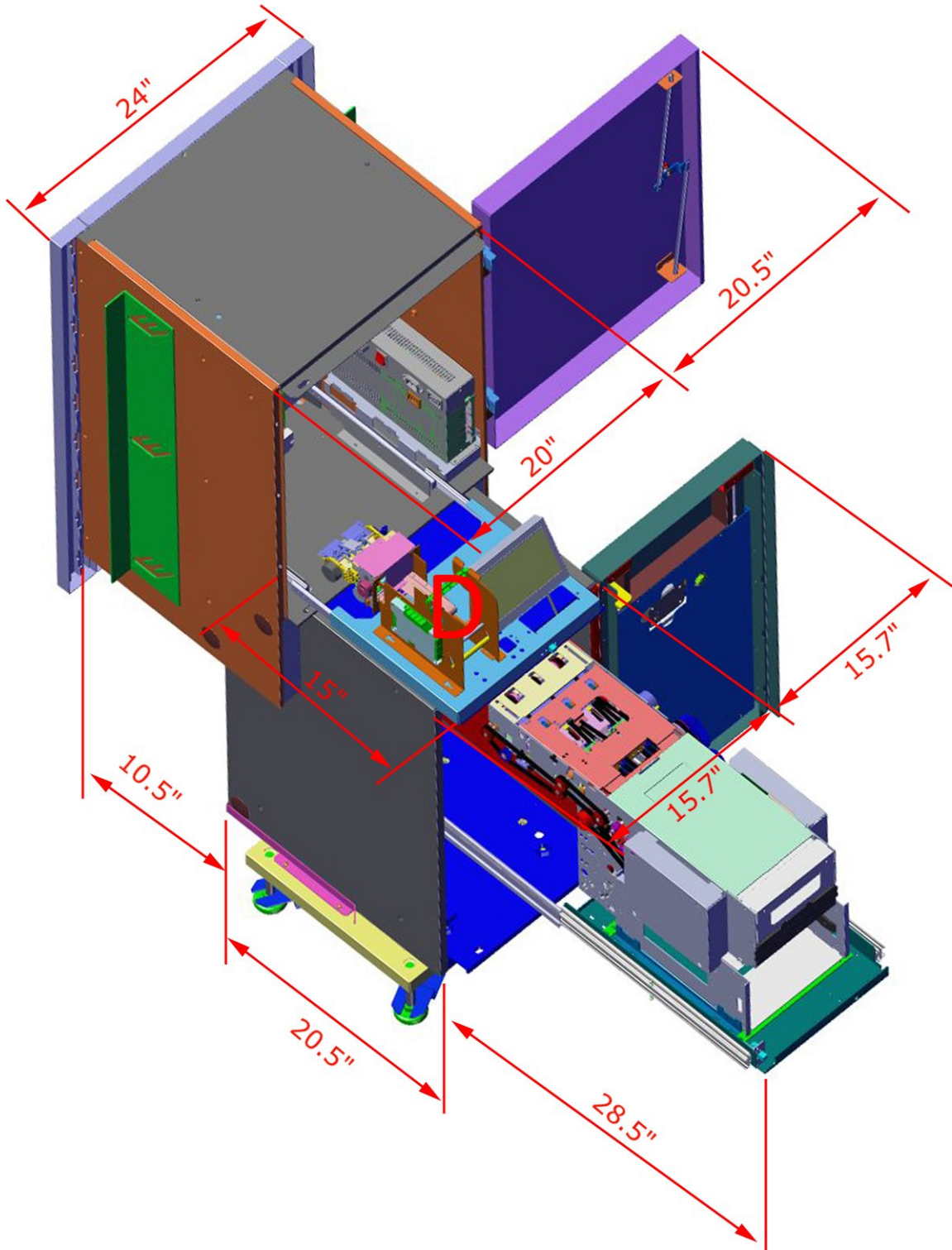
The outside dimensions of the GT5000 are shown below, the 24" X 38.5" dimension represents the machine with the front bezel installed. See end of this manual for instructions on removing the bezel.



Below shows how much distance is required to open the rear door and for possibly servicing the cash dispenser.

It's 34" from the backside of the outer bezel to the back of the T-handle on the vault.

From the front of the vault - you'll need 37" of **rear clearance** to fully open the vault door and 49" to fully extend the sliding tray where the cash dispenser is mounted.



Bezel Removal

To remove the outside (gray) perimeter bezel from the front of the machine during installation, please reference the image below.

Inside the top cabinet are two metal brackets that secure the front bezel. Undo the thumbscrews and pull back the metal tabs. There is one on the left and right side of the screen. Once these are undone and pulled back you should lift the front bezel upwards to remove. Sometime you may need to tap upwards on the bottom with a soft mallet to help it move.

